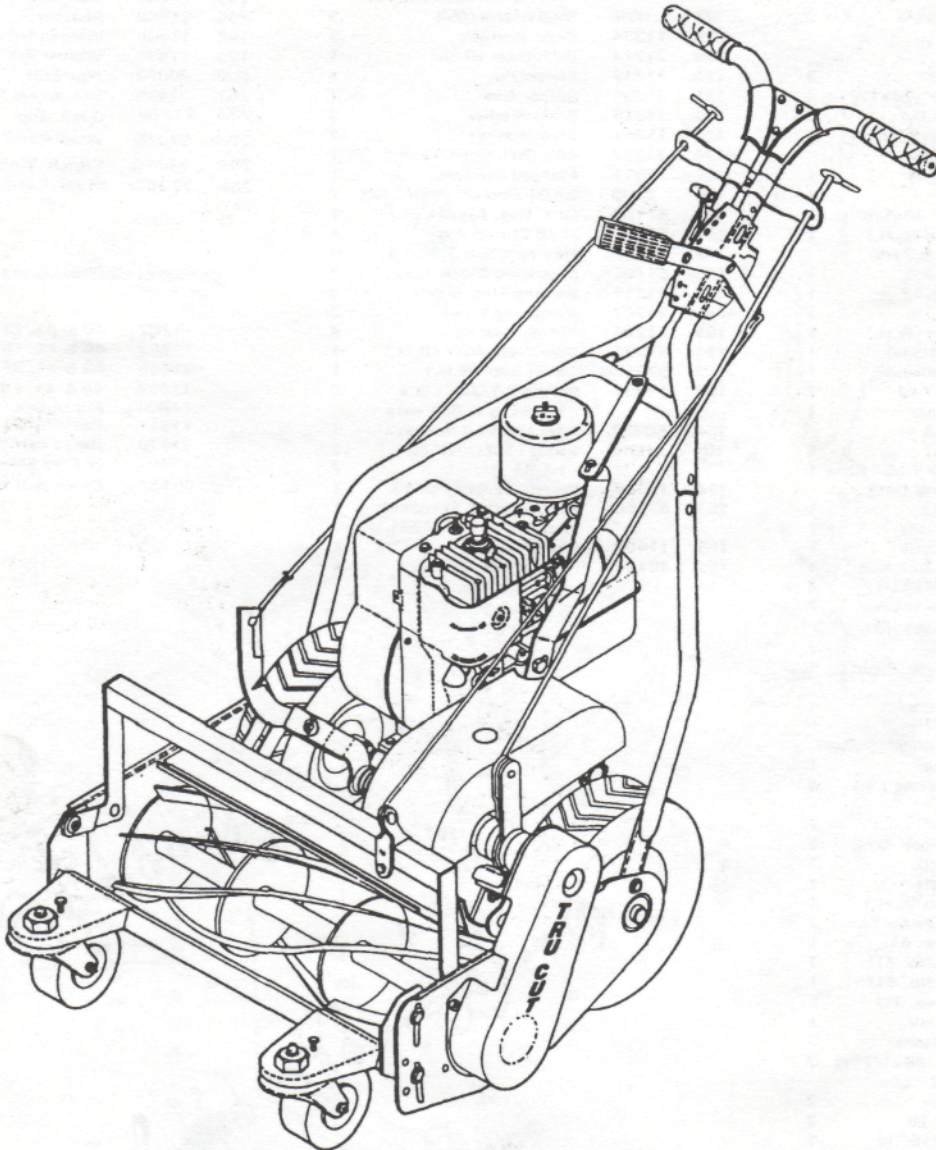


TRU-CUT POWER MOWERS

HOMEOWNER— 20 INCH SWIVEL & RIGID MODELS REPLACEMENT PARTS LIST



When ordering parts, please specify model number of machine, serial number and part number.

TRU-CUT, INCORPORATED

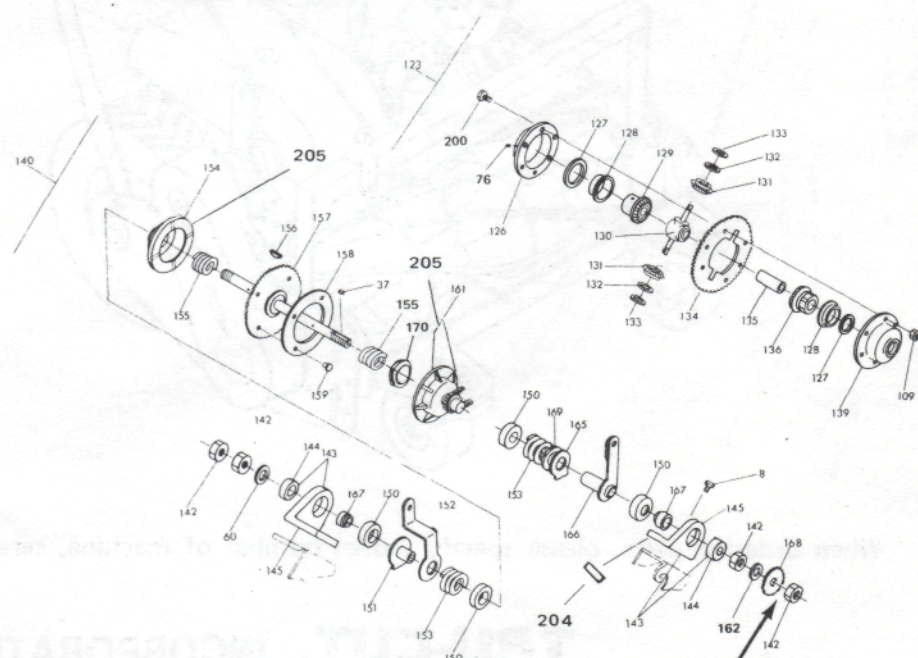
P.O. Box 65647
Los Angeles, CA 90065

REVISION 3/98
P.N. 11496

No.	Part No.		Qty.	No.	Part No.		Qty.	No.	Part No.		Qty.
1.	47420	H-20 Main Frame	1	88.	37382	Clutch Control Rod	2	161.	37300	S/A Drive Hsg	1
2.	90211	Hex Bolt-5/16"x1-1/2" lg	6	89.	11254	Nyliner Bushing	2	162.	11313	Washer 3/4" I.D.x1-1/8 O.D.	6
3.	90196	Hex Nut 5/16"-18	8	90.	37482	Upper Handle (L.H.)	1	165.	37362	Cam Plate (L.H.)	1
4.	47444	Shrub Bar Wldt.	2	92.	47357	Handle Bar	2	166.	47397	Cam Lever Assy (L.H.)	1
5.	11373	Side Pin	2	93.	40408	Control Knob	2	167.	21208	Spacer - Clutch	2
6.	90188	5/16"-S.A.E. Washer	8	94.	90206	Hex Bolt 5/16"-18x3/4" lg	2	168.	11230	Sprocket A-14T x3/4" B	1
7.	31388	Handle Support Brkt.	1	97.	37478	Handle Plate	2	169.	11382	Washer	1
8.	90209	5/16"-18x1" Hex Bolt	3	99.	31298	Rod Bracket	1	170.	11322	Washer 1-1/4 O.D.x.925 I.D.	1
9.	11204	3/16" Zerk Fitting	2	100.	11345	Handle Grip-7/8" I.D.	3	171.	11515	Locking Washer	2
10.	50350	Pivot Bolt 1-1/2" & Zerk	2	101.	18140	H-20 Throttle Control	1	175.	90122	3/8" S.A.E. Washer	1
11.	11203	Inner Race	4	102.	11307	Roll Pin 3/16x1-3/4	1	176.	90370	Hex Bolt 5/16-18x1-3/4	1
12.	11205	5/16 Spherical Balls	22	103.	11516	Bodine Clip	1	177.	31305	Q.H.A. Rod Bracket	1
13.	11312	Washer 5/8" I.D.	2	104.	40413	Rod Bracket Clamp	1	179.	11490	Q.H.A. Control Rod	1
14.	90402	5/8-18 Hex Jam Nut	2	108.	90107	Hex Bolt 1/4" .28x1-1/4" lg.	4	180.	90110	Hex Bolt 1/4"-28x1-1/2" lg.	2
15.	90401	Hex Bolt 5/16"-18x3/4"	2	109.	90063	1/4"-20 Hex Nut	6	182.	90473	Lock Pin	1
16.	50351	S/A Caster Axle-2-1/2" lg	2	110.	57199	H-20 Grass Basket Assy	1	187.	31301	Index Plate	1
17.	57118	S/A Single Caster Fork	2	112.	57208	H-20 Idler Assy	1	188.	31302	Q.H.A. Lever	1
18.	90417	3/8" Star Washer	2	116.	18117	Wheel Flange	2	189.	11491	Fiber Washer	1
19.	90155	3/8-24 Hex Nut	2	123.	57211	Differential Assy	1	190.	47445	H-20 Quick Adj. Bar Wldt.	1
20.	11206	Spanner Bushing	2	126.	57109	Diff. Hsg. Assy	1	193.	11494	Spring	1
21.	11273	Caster Wheel w/Oilite Bushing	2	127.	11316	Steel Washer (.060)	2	195.	90443	Washer 5/16x3/4	2
22.	37377	Handle Bracket		128.	11234	Brass Bushing	2	196.	21260	Spacer	2
24.	11454	Snap Ring-5/8"	2	129.	21214	Diff. Gear (R.H.)	1	198.	11500	Washer 1/4"x3/4"	2
25.	90322	Hex Bolt-5/16"-24x1-1/2" lg	4	130.	21212	Pinion Pin	1	199.	11478	Washer 3/8" S.A.E.	1
26.	21255	Washer 5/8" I.D.	2	131.	21231	Spider Gear	2	200.	90073	Hex Bolt - 1/4-20x3/4"	6
27.	50371	S/A Reduction Sprocket	1	132.	11315	Brass Washer	2	201.	37425	S/A Wheel Hub R/H	1
28.	90412	Rd Head Screw 1/4-20x1-1/2 lg	1	133.	11317	Steel Washer	2	202.	11360	Q.H.A. Grip	1
29.	57192	Motor Guard	1	134.	21257	40T Diff. Sprocket	1	203.	37376	Wheel Rim	4
30.	90100	Hex Bolt-1/4"-28x5/8"	7	135.	11511	Flanged Bushing	1	204.	31300	Clutch Bracket	1
31.	31207	Retaining Ring-(L.H.)	1	136.	21213	S/A Diff Gear LH (inc. No. 135)	1	205.	20202	Steel Facing	1
32.	50355	Brg. Retainer & Zerk Fitting (L.H.)	1	139.	57108	Diff. Hsg. Assy (L.H.)	1				
33.	57209	Wldt Idler Hsg.	1	140.	57185	H-20 Clutch Assy	1				
34.	11275	Reel Bearing	2	142.	90409	Hex Jam Nut 3/4"-16	4				
35.	31208	Retaining Ring (R.H.)	1	143.	57105	Mounting Block Assy	2				
36.	47446	Reel Assy (7 Blade)	1	144.	11214	Bearing-Mtg. Block	2				
36.	27311	Reel Assy (5 Blade)	1	145.	21207	Mounting Block	2				
37.	11320	3/16" Square Key	1	150.	11215	Thrust Bearing	4				
38.	11314	1/2" I.D. Washer	1	151.	47396	Cam Plate Assy (R.H.)	1	11262	40 & 41. 12T-3/4B-3/16 Key		
39.	57102	Brg. Retainer & Fitting (R.H.)	1	152.	37363	Cam Lever (R.H.)	1	11263	40 & 41. 16T-3/4B-3/16 Key		
40.	11211	Sprocket A-10 T-1/2" Bore	1	153.	11222	Spring 1-1/32" I.D. x 1-1/64 lg x .331 wire	2	11455	40 & 41. 9T-1/2B-3/16 Key		
41.	90254	1/2" I.D. Spring Lock Washer (Med.)	1	154.	50382	Reel Hsg-Clutch Assy.	1	11492	40 & 41. 10T-5/8B-1/4 Key		
42.	90265	1/2"-20 Hex Nut	1	155.	11216	Spring 1/32 O.D.x1" LG 1-1/16 lg.	2	11404	Motor Spkt. 9T-3/4B		
43.	37387	Reel Chain Guard	1	156.	11309	Woodruff Key No. 13	1	11311	Caster Shim		
44.	90184	5/16-18 Jam Lock Nut	4	157.	57206	H-20 Shaft & Sprocket Assy (inc. 158, 159)	1	11473	Reel Shim 2-1/2"		
46.	90396	Hex Bolt 5/16-24x3/8 LG	2	158.	11489	Clutch Lining	2	11457	In Play Shim		
47.	90395	5/16" I.D. Star Washer	7	159.	90407	Brass Rivet 3/8" lg.	4	60151	Quick Adj Kit - Comp (H-20)		
48.	27330	20" Bedknife Assy. (Swivel) Shown									
48.	57202	H2OR Bedknife Rigid (not shown)	1								
49.	37491	20" Bed Knife Blade	1								
50.	90405	C/SK Screw 5/16									
51.	47442	20" Bed Knife wldt - (Swivel)									
52.	37401	Reel Chain Idler	1								
53.	11247	No. 41 Connecting Link	4								
54.	11306	Roll Pin 13/8	1								
55.	11308	Snap Ring 3/4"	2								
56.	11231	Outboard Flanged Brng	2								
57.	11313	Washer-3/4" I.D.	2								
58.	21254	H-20 Axle Shaft	1								
59.	21245	S/A Wheel Hub (L.H.)	1								
60.	18116	10x2-3/4" Chevron Tire	2								
61.	11244	Reel Chain (No. 41)	1								
62.	11431	Motor Chain (No. 41)	1								
63.	11428	Power Chain (No. 41)	1								
64.	11431	Drive Chain (No. 41)	1								
65.	11427	No. 41 Half Link	1								
67.	90055	1/4" S.A.E. Washer	9								
68.	90099	Hex Bolt 1/4"-28x1-1/2" lg	3								
69.	90109	1/4"-28x1-1/2" lg. Rd Hd. Screw	2								
70.	90095	Hex Nut-1/4"-28	2								
71.	11237	Clevis Pin 2-3/16" lg	1								
72.	11249	Cotter Key 1/16"	5								
73.	31300	Clutch Bracket	1								
74.	90010	No. 10 Washer	3								
75.	90099	Hex Bolt 1/4"-28x1-1/2" lg	4								
76.	11224	5/16" Zerk Fitting	1								
77.	90095	Hex Nut 1/4"-28	4								
78.	37527	Grass Shield Wldt.	1								
79.	37486	Grass Shield Angle	1								
80.	57222	Grass Shield Assy (74,75,77,78,79)	1								
81.	37480	Lower Handle	1								
83.	11250	Clevis Pin 15/16	2								
84.	11423	Inboard Flanged Brng	2								
85.	11245	Return Spring	2								
86.	11250	Clevis Pin 15/16	1								
87.	37479	Upper Handle (R.H.)	1								

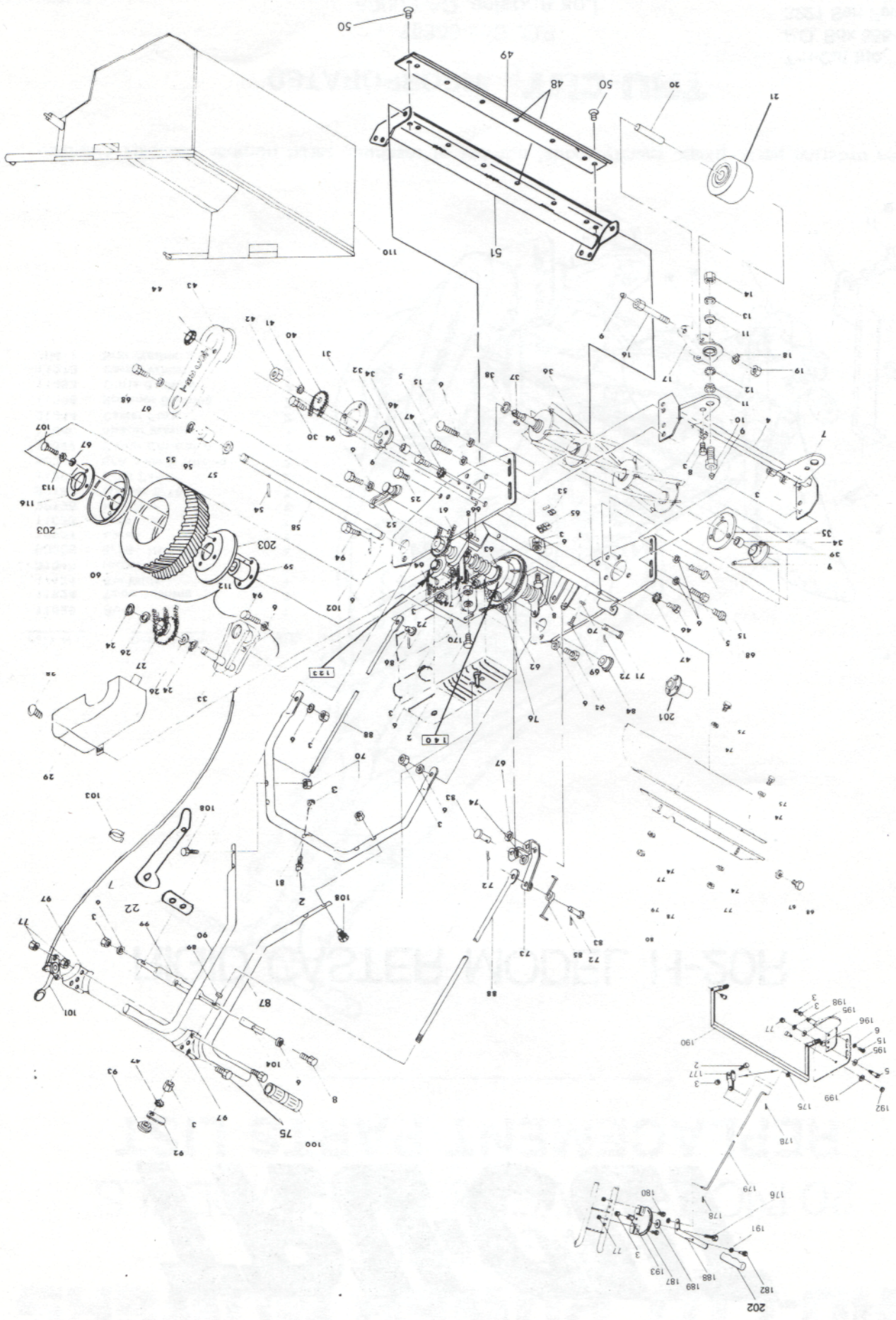
Sprocket Combinations / Misc. Assemblies

- 11262 40 & 41. 12T-3/4B-3/16 Key
- 11263 40 & 41. 16T-3/4B-3/16 Key
- 11455 40 & 41. 9T-1/2B-3/16 Key
- 11492 40 & 41. 10T-5/8B-1/4 Key
- 11404 Motor Spkt. 9T-3/4B
- 11311 Caster Shim
- 11473 Reel Shim 2-1/2"
- 11457 In Play Shim
- 60151 Quick Adj Kit - Comp (H-20)



Lock Washer (not shown) is PN 11515.

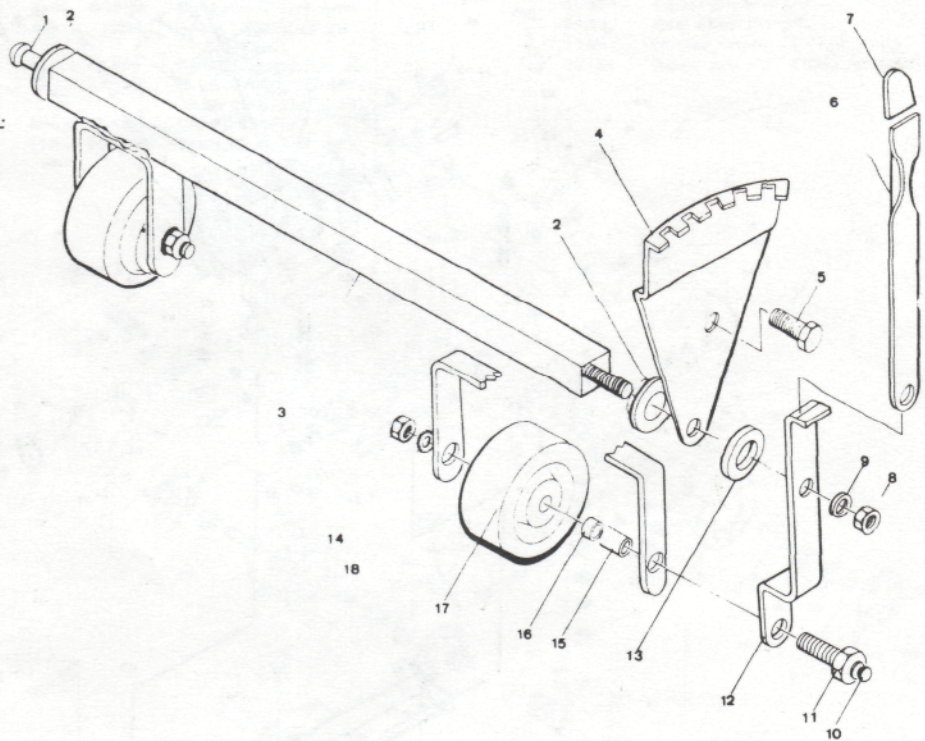
14-750-111
FOR VULCAN 650-1000
2001 2nd EDITION
70 24 72 1



TRU-CUT

RIGID CASTER MODEL H-20R

No.	Part No.	Description	Qty.
1.	11526	Rod	1
2.	11524	Tube Bushing	2
3.	47424	Bar Wldt.	1
4.	31345	Index Plate	1
5.	90206	5/16 - 18 x 3/4	1
6.	10921	Latch	1
7.	11093	Grip	1
8.	90196	Hex Nut	1
9.	90188	Washer 5/16	1
10.	11204	3/16 Zert	2
11.	50391	S/A Axle & Fitting	2
12.	31347	Caster Control Arm	1
13.	11646	Spacer Washer	1
14.	31344	Caster Fork	2
15.	11206	Spanner Bushing	2
16.	11453	Oilite Bushing	2
17.	11273	Caster Wheel	2
18.	90417	Star Washer	2

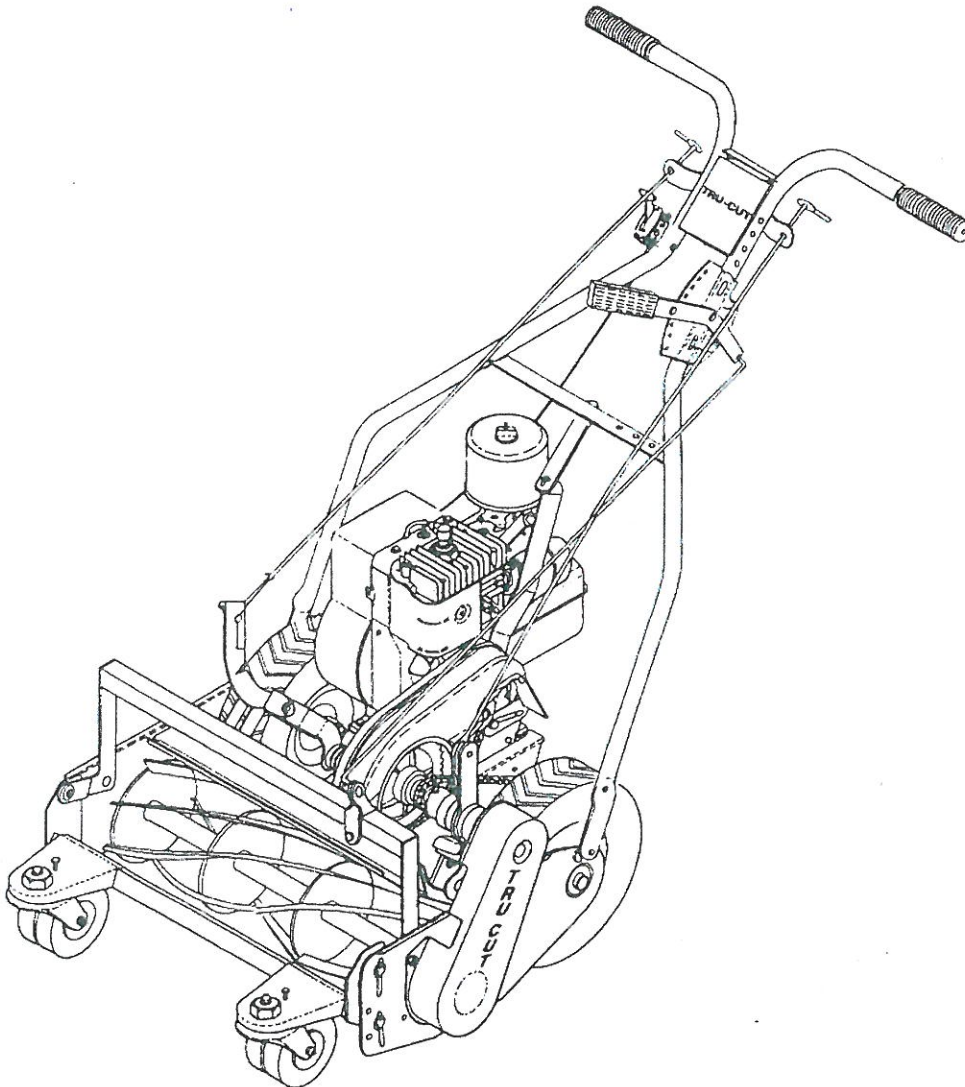


Tru-Cut Inc.
 P.O. Box 65647
 3221 San Fernando Road
 Los Angeles, Calif. 90065
 213-258-4131

TRU-CUT

MODELS C25 & C27
25" and 27"
Commercial Reel Mowers
ILLUSTRATED PARTS LIST

Wheel Drive Models
(does not cover Roller Drive models)



TO ORDER GENUINE TRU-CUT REPLACEMENT PARTS, CONTACT:

SCOTSCO
16750 SE Kens Court
Milwaukie OR 97267

Local Phone: 503.653.7791 Toll-Free Phone: 800.547.3989
Local Fax: 503.653.7838 Toll-Free Fax: 800.242.1884

www.scotsco.com

FIGURE 1

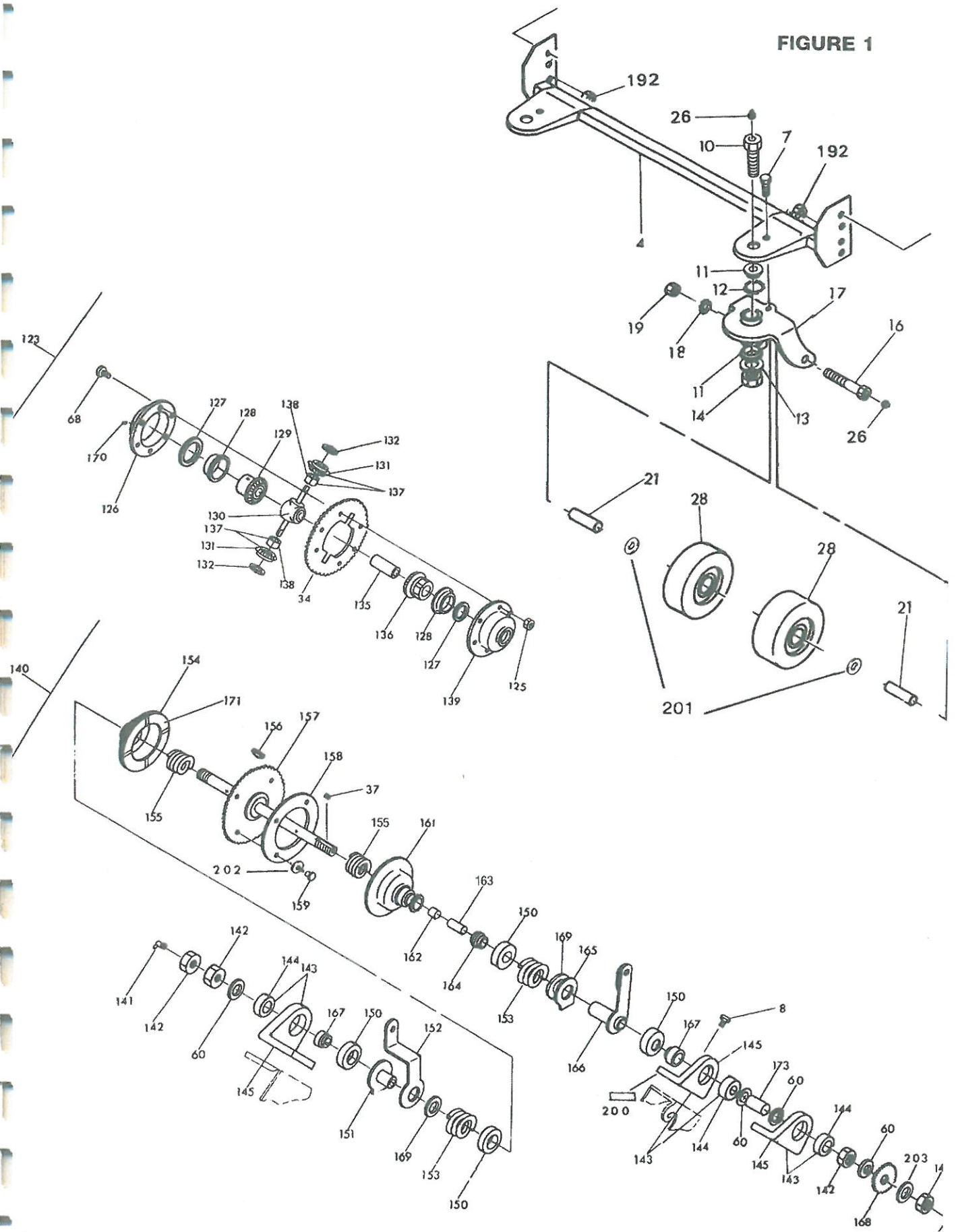
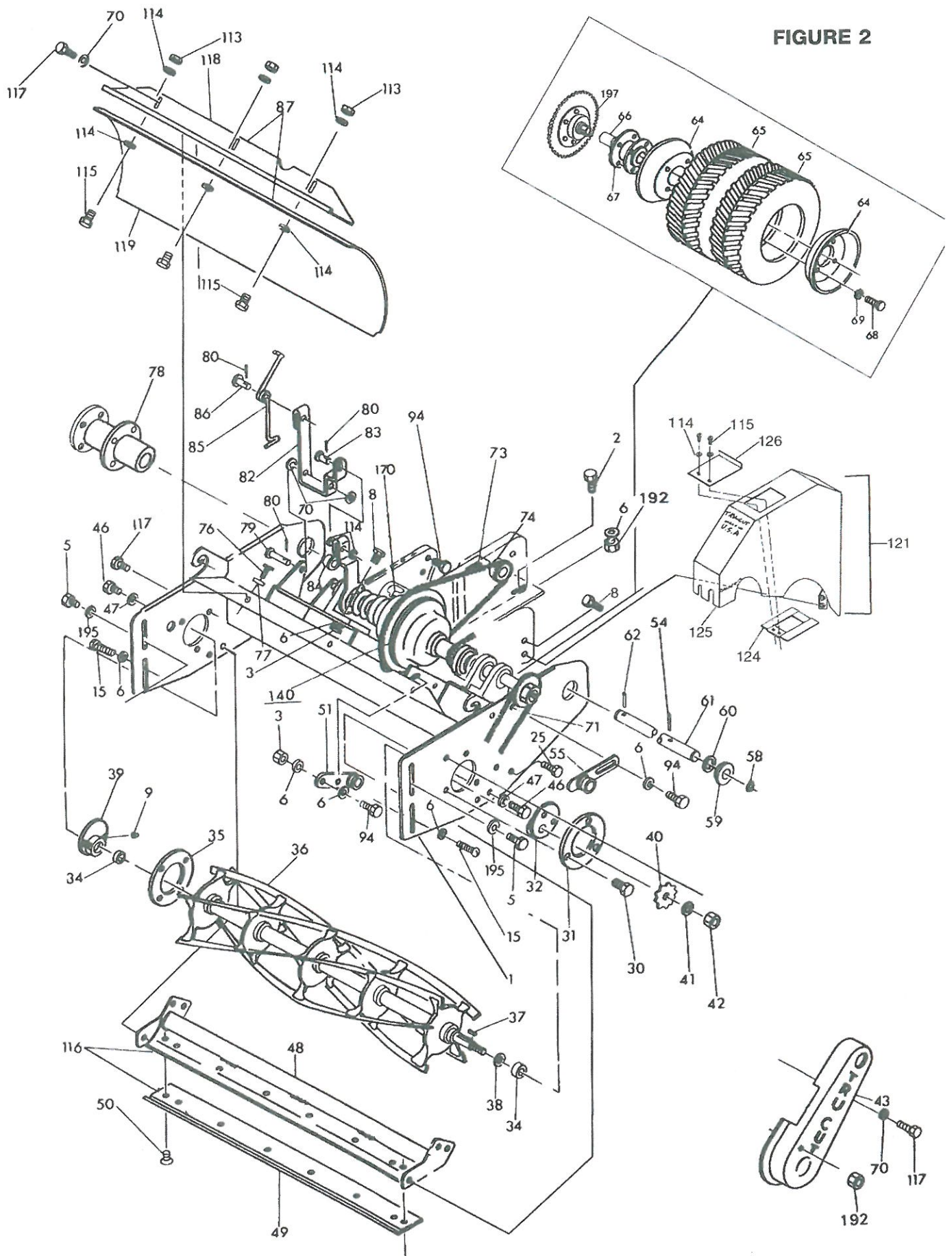


FIGURE 1

<u>NO.</u>	<u>PART NO.</u>	<u>DESCRIPTION</u>
4.	47370	SHRUB BAR WLDT. (C-25)
	47364	SHRUB BAR WLDT. (C-27)
7.	90430	HEX BOLT 5/16-18X1-1/4
8.	90209	HEX BOLT 5/16-18X1
10.	50390	PIVOT BOLT & ZERK
11.	11203	INNER RACE
12.	11205	STEEL BALLS 5/16
13.	11312	WASHER 5/8 I.D.
14.	90402	JAM NUT 5/8
16.	57125	S/A AXLE 4 1/2
17.	57137	CASTER FORK
18.	90417	SHAKEPROOF 3/8 WASHER
19.	90130	HEX NUT 3/8-16
21.	11206	SPANNER BUSHING
26.	11204	ZERK 3/16
28.	11273	CASTER WHEEL
34.	37375	50T SPROCKET
37.	11320	SQ. KEY 3/16 (C-25)
60.	11313	SPACER WASHER
68.	90073	HEX BOLT 1/4 -20 x 3/4
123.	57162	DIFFERENTIAL ASSY-STEEL
125.	90063	HEX NUT 1/4 - 20
126.	57099	HSG. R.H. (170-127-128)
127.	11316	STEEL WASHER
128.	11234	FLANGE BUSHING
129.	11514	GEAR RH - STEEL
130.	21232	PINION PIN- STEEL
131.	11513	SPIDER GEAR, STEEL
132.	11315	BRASS WASHER
135.	11511	FLANGED BUSHING-BRASS
136.	50386	GEAR L.H. STEEL (inc. 135.)
137.	50387	SPIDER GEAR-STEEL (inc. 131, 138)
138.	11300	BRONZE BUSHING
139.	57098	HSG. L.H. (127-128)
140.	57141	CLUTCH ASSY. (C-25)
	57131	CLUTCH ASSY (C-27)
141.	11223	65° ZERK
142.	90409	JAM NUT
143.	57105	S/A MOUNTING BLOCK
144.	11214	BEARING
145.	21207	MOUNTING BLOCK
150.	11215	THRUST BEARING
151.	47396	S/A CAM PLATE RH
152.	37363	CAM LEVER RH
153.	11222	SPRING
154.	37367	REEL HOUS./FAC. (inc. 171)
155.	11226	SPRING
156.	11309	KEY
157.	37415	SHAFT & LINING & SPKT. (C-25)
	27258	SHAFT & LINING & SPKT. (C-27)
158.	11219	LINING
159.	90407	RIVET BRASS
161.	57106	DR. HOUS (inc. 162,164,163)
162.	11228	BRONZE BUSHING
163.	11236	BRONZE BUSHING 1 1/2" LG
164.	11217	SPACER
165.	37362	CAM PLATE LH
166.	47397	S/A CAM LEVER LH
167.	21208	SPACER
168.	11230	SPROCKET 14T
169.	11382	WASHER
170.	11224	ZERK 5/16 STRAIGHT
171.	11213	ALUMINUM FACING
173.	31221	SPACER TUBE (C25)
	21221	SPACER TUBE (C27)
192.	90186	HEX LOCK NUT 5/16-18
200.	31368	CLUTCH BRACKET PROTECTOR
201.	11325	CASTER WHEEL WASHER
202.	11323	WASHER, RIVET

FIGURE 2



NO.	PART NO.	DESCRIPTION
1.	47369	MAIN FRAME (C-25)
	47363	MAIN FRAME C27
2.	90211	HEX BOLT 5/16-18 x 1-1/2
3.	90196	HEX NUT 5/16-18
5.	11373	SIDE PIN
6.	90188	WASHER 5/16
8.	90209	HEX BOLT 5/16-18 x 1
9.	11204	ZERK 3/16 (C25)
15.	90401	HEX BOLT 5/16 x 3/4
25.	90322	HEX BOLT 5/16-24 x 1/2
30.	90100	HEX BOLT 1/4 -28 x 5/8
31.	31207	RETAINER RING L.H.
32.	50355	RET. & FIT L.H. (C-25)
	27294	BEARING RET (C27)
34.	11275	REEL BEARING (C-25)
	11536	REEL BEARING (C27)
35.	31208	RETAINER RING R.H.
36.	27291	5-BLADE REEL (C-25)
	27265	7-BLADE REEL (C-25)
	27292	5-BLADE REEL (C-27)
	27261	7-BLADE REEL (C-27)
37.	11320	SQUARE KEY
38.	11314	WASHER 1/2" ID (C25)
	11312	WASHER 5/8 ID (C27)
39.	57102	R.H. RET & FITTING (C-25)
	27271	BEARING RET (C27)
40.	11211	SPROCKET 10T (C-25)
	11492	SPKT. 10T 5/8 (C27)
41.	90254	LOCK WASHER (C-25)
	90333	LOCK WASHER (C27)
42.	90265	HEX NUT 1/2- 20 (C-25)
	90402	HEX NUT (C27)
43.	37387	REEL CHAIN GUARD
46.	90396	HEX BOLT 5/16-24 x 13/32
47.	90395	LOCK WASHER 5/16
48.	37410	BEDKNIFE HOLDER (C25)
	37402	BEDKNIFE HOLDER (C27)
49.	37413	BEDKNIFE BLADE (C-25)
	37404	BEDKNIFE BLADE (C27)
50.	90405	BEDKNIFE SCREW
51.	37400	DIFFERENTIAL IDLER
54.	11306	ROLL PIN 1 3/8
55.	37401	REEL CHAIN IDLER
56.	11255	CON. LINK NO. 40 (NOT SHOWN)
57.	11389	OFFSET LINK NO. 40 (NOT SHOWN)
58.	11308	SNAP RING 3/4
59.	11231	BEARING SHIELDED
60.	11313	SPACER WASHER
61.	27264	AXLE SHAFT (C-25)
	27260	AXLE SHAFT C27
62.	11307	ROLL PIN 1-3/4
64.	37376	RIM
65.	18116	TIRE (C-25)
	18101	TIRE (C-27)
66.	11228	BRONZE BUSHING 3/4
67.	37418	WHEEL HUB LH (C-25)
	37406	WHEEL HUB LH (C-27)
68.	90073	HEX BOLT 1/4 - 20 x 3/4
69.	90410	LOCK WASHER 1/4
70.	90055	WASHER 1/4
71.	11267	REEL CHAIN NO. 40 (C-25/27)
72.	11266	DIFFERENTIAL CHAIN NO. 40
73.	11279	MOTOR CHAIN NO. 40 (C-25)
74.	11225	MOTOR SPROCKET-9 TOOTH
76.	90109	RD. HD. SCREW 1-1/2 LG.

NO.	PART NO.	DESCRIPTION
86.	11250	CLEVIS PIN 15/16
87.	57148	GRASS SHIELD ASSY. 25"
	57140	GRASS SHIELD ASSY. 27"
88.	37382	CONTROL PAD
94.	90206	HEX BOLT 5/16-18 X 3/4
113.	90399	HEX NUT 10-24
114.	90010	WASHER NO.10
115.	90411	HEX BOLT 10-24
116.	47367	BEDKNIFE ASSY (C27)
	27266	BEDKNIFE ASSY (C-25)
117.	90099	HEX BOLT
118.	31218	GRASS SHIELD ANGLE (C-25)
	31214	GRASS SHIELD ANGLE (C-27)
119.	47373	GRASS SHIELD WLDT. (C-25)
	47368	GRASS SHIELD WLDT. (C-27)
121.	57181	MOTOR CHAIN GUARD ASSY.
124.	47228	SLIDING DOOR FRAME
125.	47327	MOTOR GUARD WELDT.
126.	31433	SLIDING DOOR
140.	57141	CLUTCH ASSY. (C-25)
	57131	CLUTCH ASSY. (C-27)
170.	11224	ZERK 5/16 STRAIGHT
192.	90186	HEX LOCK NUT 5/16-18
195.	90443	WASHER
196.	57165	POLY BASKET (C-25)
	57167	POLY BASKET (C-27)
197.	57162	DIFF. ASSY.

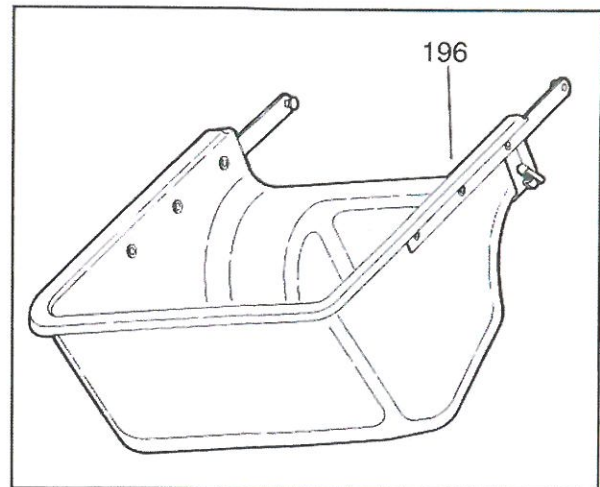


FIGURE 3

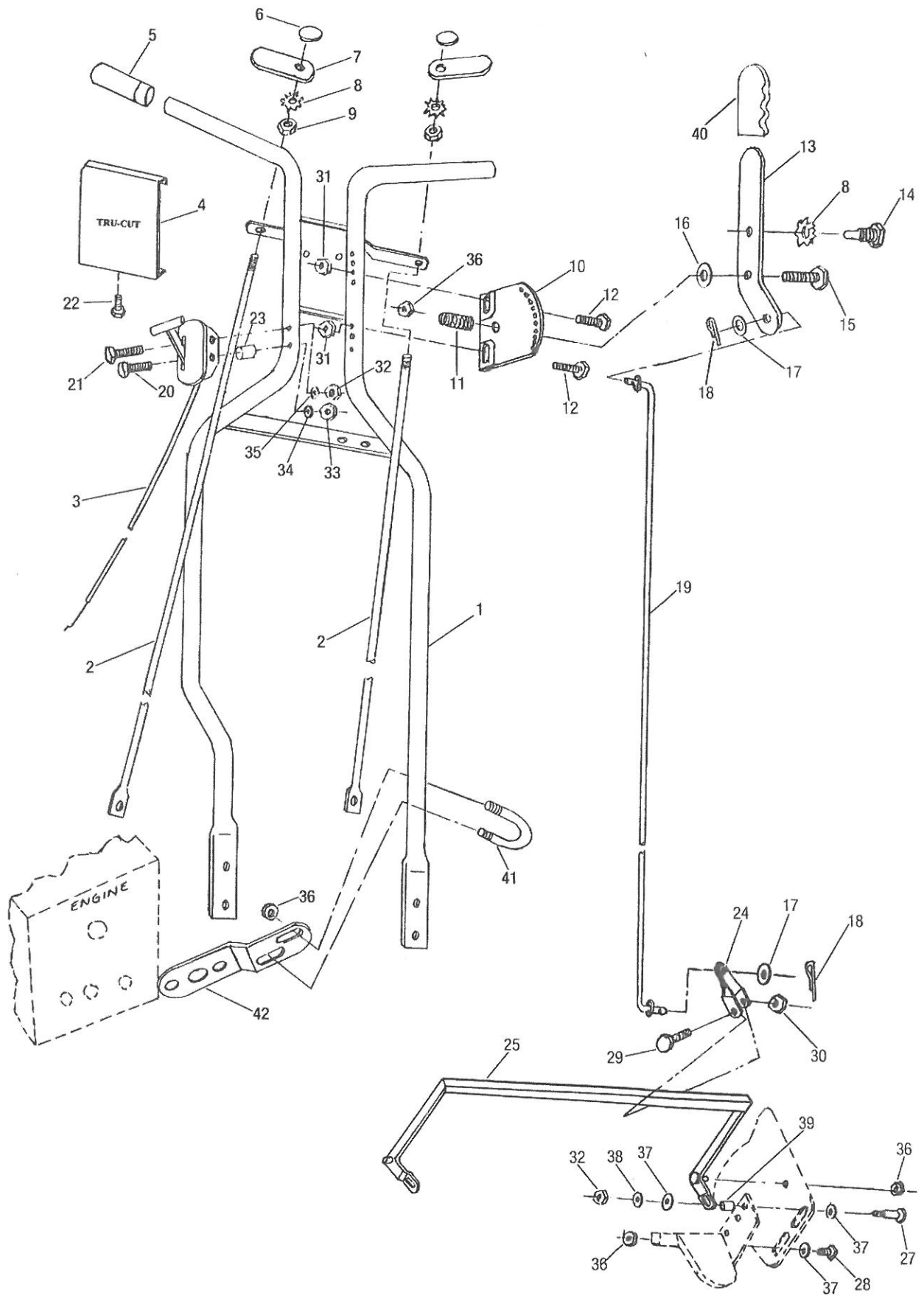


FIGURE 3

<u>NO.</u>	<u>PART NO.</u>	<u>DESCRIPTION</u>
1.	57113	HANDLE WELDT.
2.	37382	CONTROL ROD.
3.	18102	THROTTLE CONTROL B & S
	18140	THROTTLE CONTROL HONDA
	18141	THROTTLE CONTROL HONDA G
4.	57114	COVER PLATE S/A
5.	11239	HANDLE GRIP
6.	40408	KNOB WELDT.
7.	47357	THUMB BAR
8.	90395	LOCK WASHER
9.	90196	HEX NUT
10.	31376	INDEX PLATE
11.	11494	SPRING
12.	90110	HEX BOLT 1/4"
13.	31302	QHA LEVER
14.	90473	LOCK PIN
15.	90370	HEX BOLT 5/16"
16.	11491	FIBER WASHER
17.	90122	3/8" WASHER
18.	90037	COTTER PIN
19.	11490	QUICK ADJUST ROD
20.	90566	#10 SCREW
21.	90568	HEX SCREW 1/4"
22.	90411	#10 SCREW
23.	18109	SPACER
24.	31305	QA ROD BRACKET
25.	47481	25" QUICK ADJUST BAR
	47482	27" QUICK ADJUST BAR
27.	11373	SIDE PIN
28.	90401	HEX BOLT
29.	90211	HEX BOLT
30.	90536	HEX JAM NUT
31.	90095	HEX NUT
32.	90303	HEX LOCK NUT
33.	90399	#10 HEX NUT
34.	90010	#10 WASHER
35.	90055	1/4" WASHER
36.	90186	5/16" LOCK NUT
37.	90443	WASHER
38.	11500	WASHER
39.	21260	SPACER
40.	11360	GRIP
41.	11477	U BOLT
42.	31389	MOTOR/HANDLE BRACE

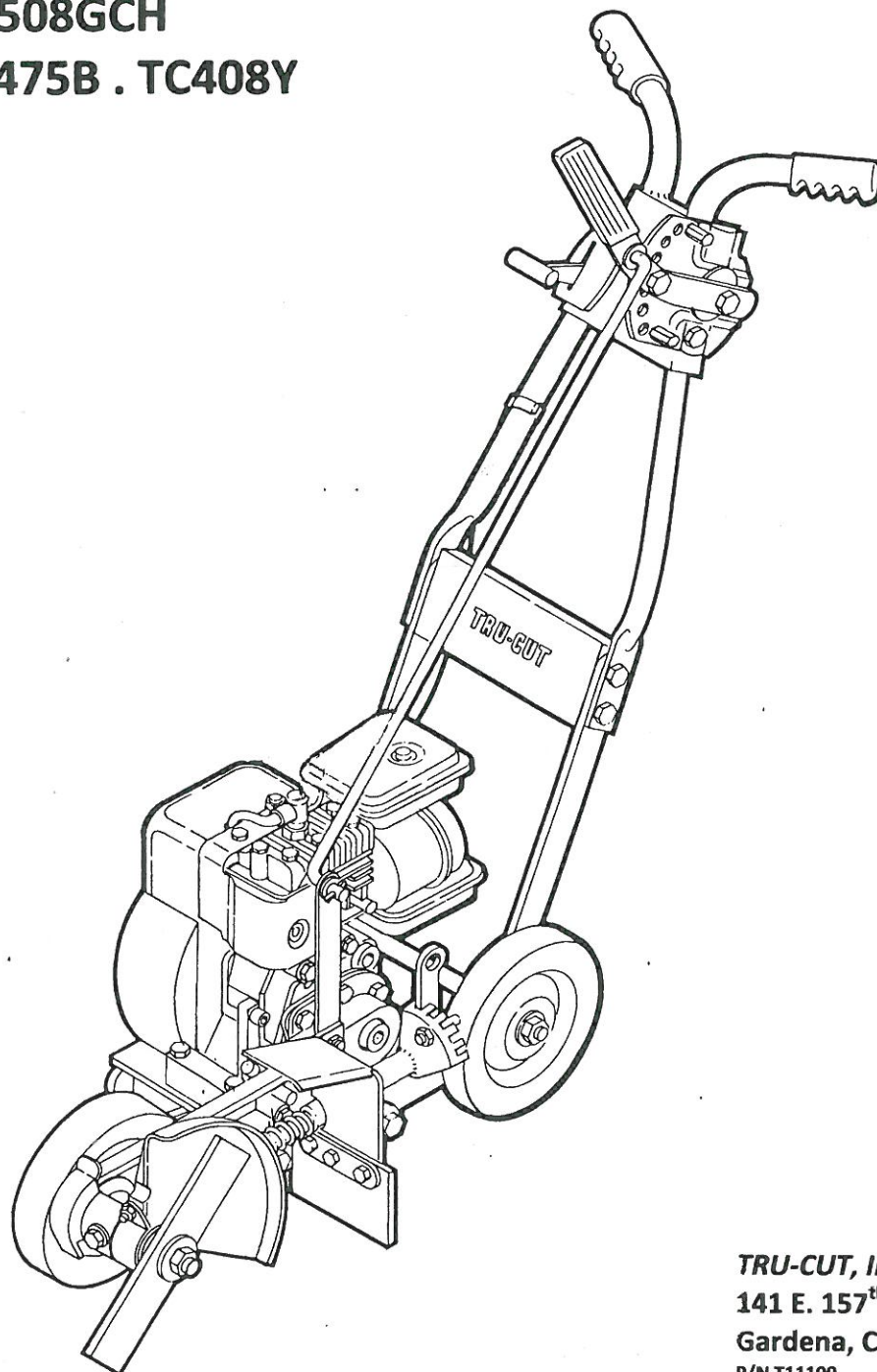


ILLUSTRATED PARTS LIST

PRO SERIES EDGER MODELS

TC480H . TC508GCH

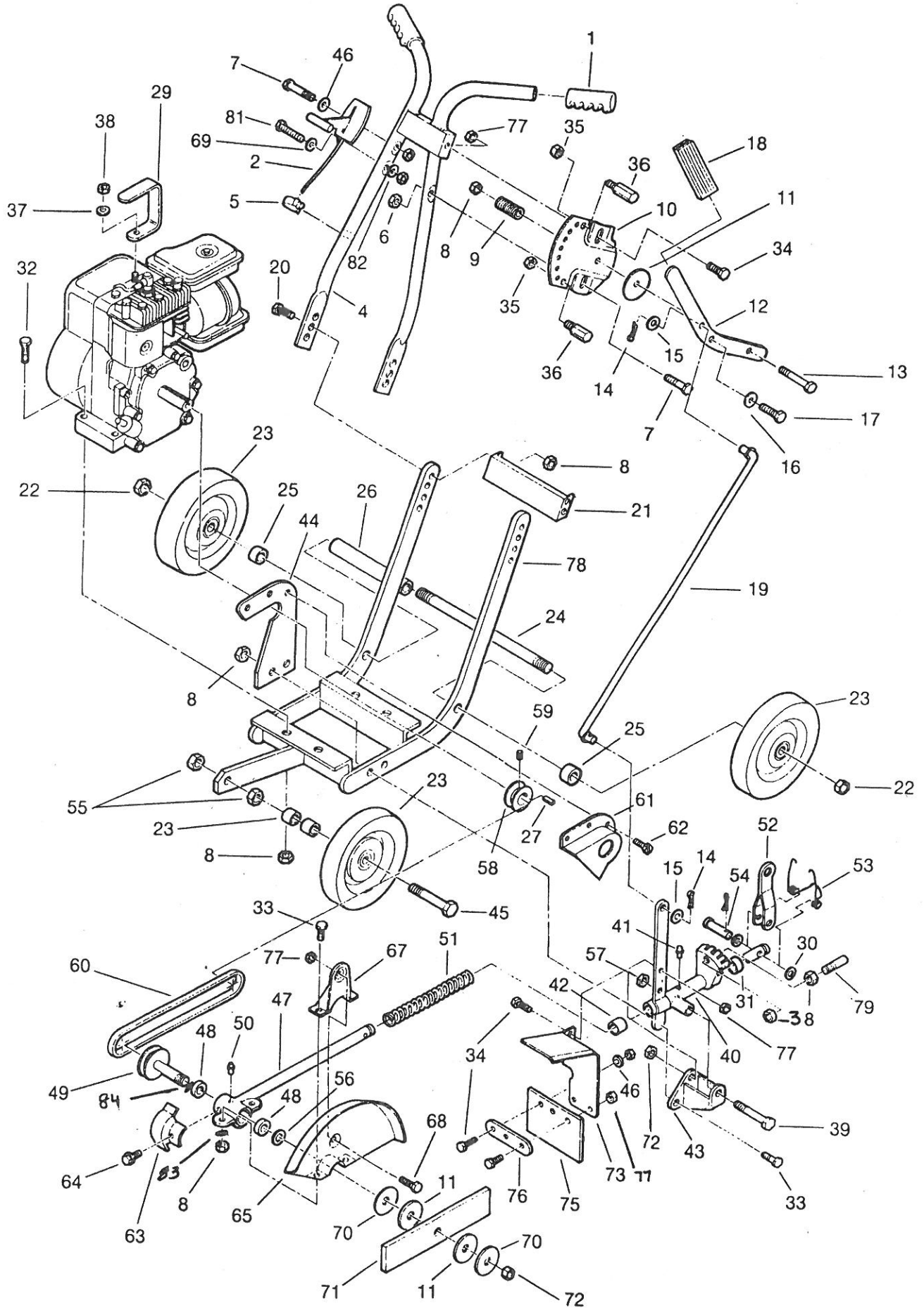
TC525B . TC475B . TC408Y



TRU-CUT, Inc.
141 E. 157th Street
Gardena, California 90248
P/N T11109 Rev. 10/10
www.trucutmower.com

<u>ITEM #</u>	<u>PART #</u>	<u>DEDESCRIPTION</u>	<u>ITEM#</u>	<u>PART#</u>	<u>DEDESCRIPTION</u>
1	T11345	HANDLE GRIPS	46	T90055	1/4 FLAT WASHER
2	T18102	THROTTLE CONTROL HONDA GX120, B&S	47	T47459	CUTTER HEAD WELDMENT
	T11528	THROTTLE CONTROL 2.5 HP HONDA	48	T31254	BEARING
	T11548	THROTTLE CONTROL GC HONDA (ESTATE)	49	T37398	SPINDLE ASSY
3	T11142	DECAL, TRU-CUT (NOT SHOWN)	50	T11204	ZERK
4	T47567	HANDLE WELDT.	51	T11680	SPRING
5	T11516	CABLE CLIP	52	T47565	LATCH ASSY WELD.
6	T90303	HEX NUT	53	T11469	SPRING
7	T90110	HEX BOLT	54	T31362	LATCH PIN
8	T90186	HEX LOCK NUT	55	T90460	JAM NUT
9	T11494	SPRING	56	T11311	SPACER WASHER
10	T31301	INDEX PLATE	57	T90461	1/2 - 20 JAM NUT
11	T11882	FIBRE WASHER	58	T20665	MOTOR PULLEY 3/4
12	T31271	HEIGHT ADJUST LEVER	59	T90508	SET SCREW
13	T90370	HEX BOLT	60	T11199	"V" BELT
14	T90037	COTTER PIN	61	T37466	MOTOR PULLEY GUARD
15	T90122	3/8 WASHER	62	T90411	MACHINE SCREW
16	T90395	5/16 LOCK WASHER	63	T31358	BELT GUARD
17	T90473	LOCK PIN	64	T90562	WASHER HEAD BOLT
18	T11360	GRIP	65	T37442	BLADE GUARD
19	T11499	CONTROL ROD	66	T11062	DECAL, CAUTION (NOT SHOWN)
20	T90206	HEX BOLT	67	T31398	BLADE GUARD STIFFENER
21	T31172	LOWER HANDLE BRACKET	68	T90523	HEX BOLT
22	T90455	HEX LOCK NUT	69	T90010	WASHER
23	T52127	7" WHEEL (MODEL TC425B ONLY)	70	T11025	BLADE WASHER
	T52138	8" REAR WHEEL	71	T11560	EDGER BLADE
	T18111	8" FRONT WHEEL	72	T90576	LOCK NUT
24	T27240	REAR AXLE	73	T37565	SECONDARY GUARD
25	T27239	WHEEL SPACER	74	T11042	DECAL, INSTRUCTION (NOT SHOWN)
26	T31307	REAR SPACER TUBE	75	T31291	RUBBER SHIELD
27	T11355	KEY 3/16	76	T31198	DOUBLER
28	T27267	FRONT WHEEL SPACER	77	T90511	HEX LOCK NUT
29	T11888	LIFT HANDLE (TC525B ONLY)	78	T47562	FRAME WELD
30	T90188	5/16 WASHER	79	T11461	STOP PIN
31	T11370	OILITE BUSHING	81	T90607	#10 X 1 1/2 MACHINE SCREW
32	T90211	HEX BOLT	82	T90399	HEX NUT
33	T90209	5/16 HEX SCREW	83	T27243	BLADE GUARD SPACER
34	T90073	1/4 HEX SCREW	84	T21255	WASHER 5/8
35	T90095	1/4 HEX NUT			
36	T31265	PIN STOP			BLADE GUARD ASSY
37	T90187	SPLIT LOCK WASHER.	T50317		INCL.#8,33,65,66,67,68,77,83
38	T90196	5/16 HEX NUT			SECONDARY GUARD ASSY
39	T31318	HEX BOLT	T50366		INCL.#34,46,73,74,75,76,77
40	T47460	CARRYING TUB WELDMENT			CUTTER HEAD SUBASSY
41	T11169	ZERK	T50345		INCL.#47,48,49,50,84
42	T11366	BRONZE BUSHING			CARRYING TUBE ASSY
43	T47585	PIVOT BRACKET	T57276		INCL. #31,39,40,41,42,43,57,72
44	T47569	GUARD, MOUNTING PLATE			CUTTER HEAD ASSY. INCL. P/N T50345,
45	T90580	FRONT AXLE BOLT	T57305		T57276, & #14,30,38,51,52,53,54, 79

TRU-CUT PRO SERIES



CURB WHEEL SET-UP

STEP 1

REMOVE NUTS, AXLE, AND WHEELS FROM REAR OF EDGER.

STEP 2

ATTACH CURB WHEEL KIT TO RIGHT REAR EDGER FRAME RAIL (REF. 03). TIGHTEN LOCK NUT (REF. 05)

STEP 3

SLIDE ON (4) WASHERS TO CURB KIT AXLE BOLT (REF. 06). SLIDE WHEEL ON TO CURB KIT AXLE BOLT AND TIGHTEN NUT (REF. 05) MAKING SURE WHEEL MOVES FREELY.

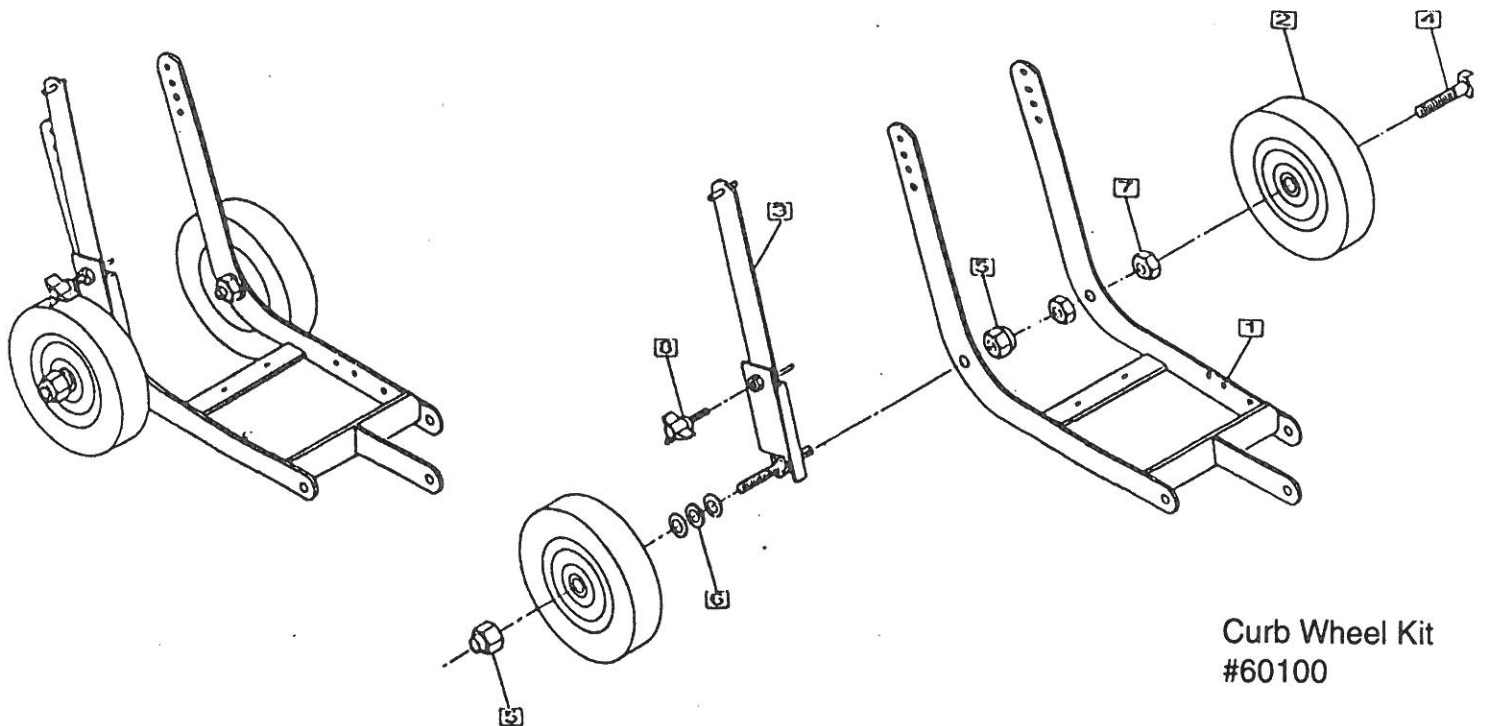
STEP 4

SLIDE AXLE BOLT THROUGH WHEEL (REF. 04 AND 2) AND TIGHTEN NUT AGAINST WHEEL (REF. 07). INSERT AXLE BOLT TO EDGER FRAME AND TIGHTEN NUT INSIDE FRAME.

STEP 5

LOOSEN BLACK WING NUT ON CURB KIT (REF. 08) AND SELECT PROPER CURB HEIGHT ADJUSTMENT. TIGHTEN WING NUT TO LOCK INTO POSITION.

SET-UP COMPLETED



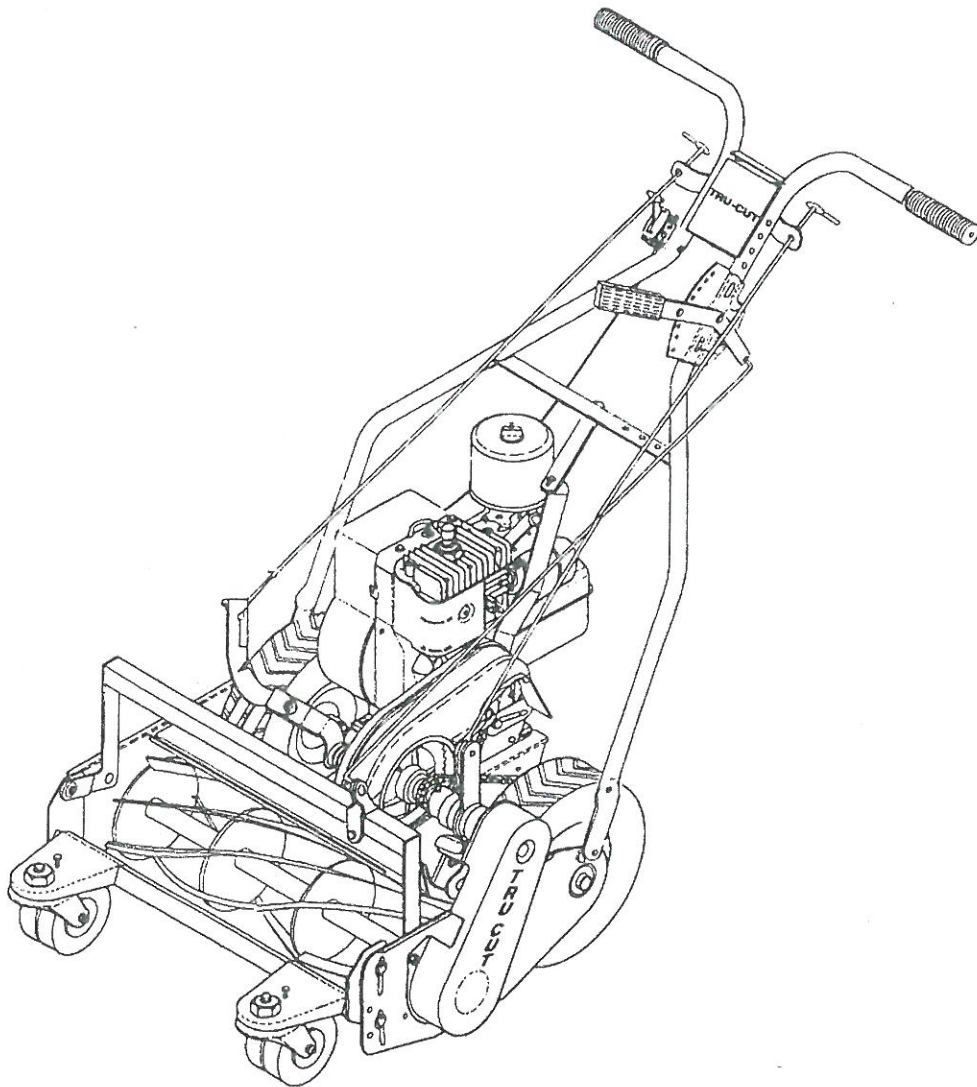
Curb Wheel Kit
#60100

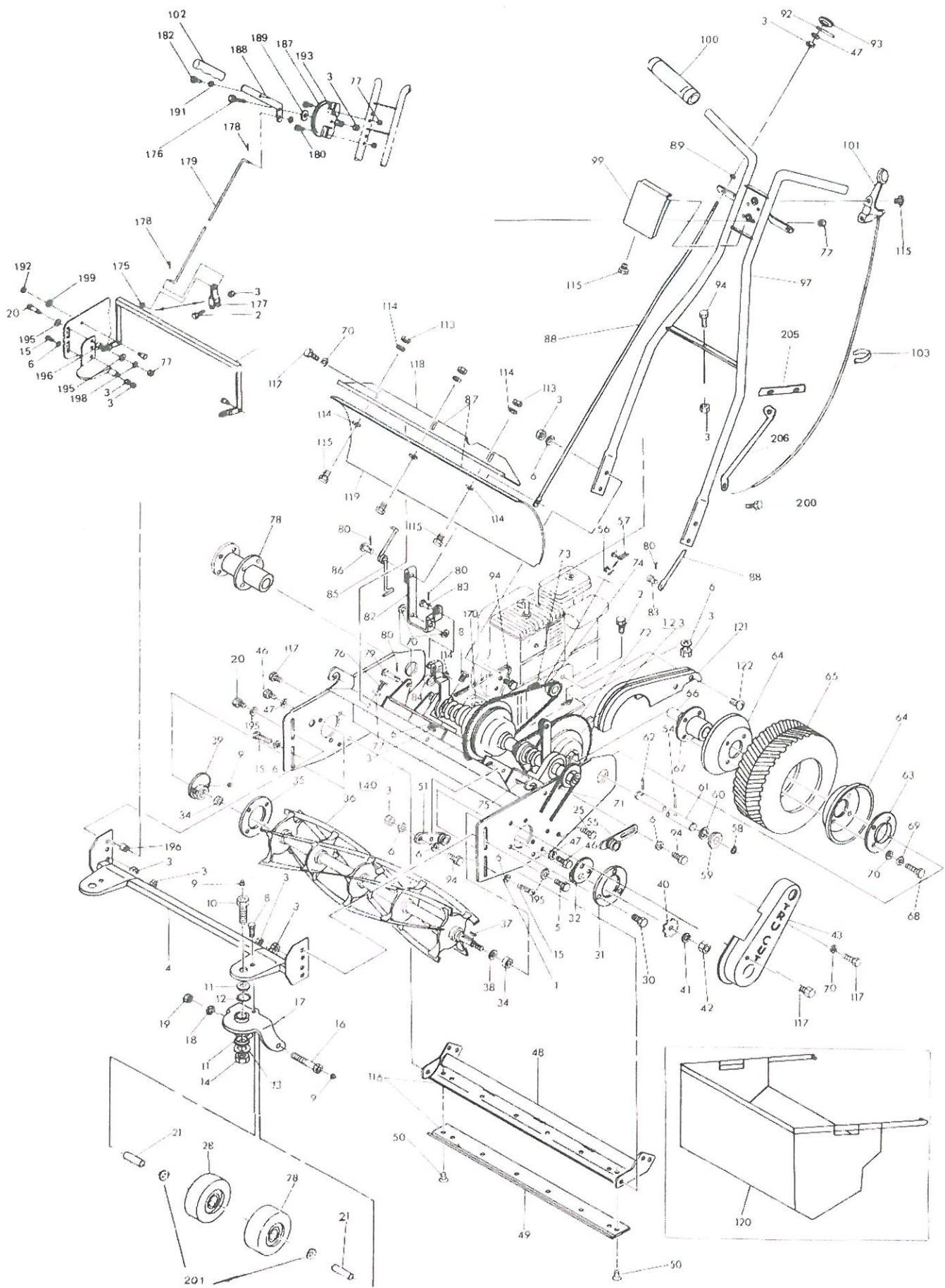
TRU-CUT

www.TruCutReelMowers.com

MODEL P20
20" Reel Mower

ILLUSTRATED PARTS LIST





No.	Part No.	Description	Qty.	No.	Part No.	Description	Qty.	No.	Part No.	Description	Qty.
1.	47416	Main Frame	1	101.	18140	Throttle Control	1	160.	37300	Drive Hsg.	1
2.	90211	Bolt	5	102.	11360	QHA Grip	1	161.	20202	Steel Facing	2
3.	90196	Hex Nut 5/16-18	16	103.	11243	Bodine Clip	1	162.	11313	Washer 3/8 ID x 1 1/8 OD	6
4.	47447	Shrub Bar Wldt.	1	109.	90063	Nut	6	165.	37362	Cam L.H.	1
5.	90204	Bolt	1	113.	90399	Hex Nut 10-24	2	166.	47397	Lever L.H.	1
6.	90188	Washer 5/16	18	114.	90010	Washer No. 10	7	167.	21208	Spacer Long	2
8.	90209	Hex Bolt	1	115.	90411	Hex Bolt 10-24	5		21190	Spacer Short	
9.	11204	Zerk 3/16	6	116.	27330	Bedknife Assy. (P-20)	1	168.	11230	Sprocket 14T	1
10.	50350	Pivot Bolt & Zerk	2	117.	90099	Hex Bolt 1/4-28 x 1/2	7	169.	11382	Washer	1
11.	11203	Inner Race	4	118.	37483	Grass Shield Angle (P-20)	1	170.	11322	Washer 1/4 OD x .925 ID	2
12.	11205	Steel Balls 5/16	22	119.	47422	Grass Shield Wldt. (P-20)	1	171.	11515	Locking Washer	1
13.	11312	Washer 5/8 I.D.	2	120.	57199	Basket - 20"	1	175.	90122	3/8" S.A.E. Washer	1
14.	90402	Jam Nut 5/8	2	121.	47377	Motor Guard	1	176.	90370	Hex Bolt 5/16-18 x 1 3/4	1
15.	90401	Bolt	2	122.	90413	Bolt	1	177.	31305	Q.A.A. Rod Bracket	1
16.	57125	Axle Bolt	2	123.	57162	P-20 Differential Assy.		178.	90037	Pin	1
17.	57137	Double Caster Fork	2	125.	90063	Hex Nut 1/2-20	6	179.	11490	Q.A.A. Control Rod	1
18.	90417	Sh/Proof Washer 3/8	2	126.	57109	Hsg. R.H. (No. 170-127-128)	1	180.	90110	Hex Bolt 1/4"-28 x 1 1/2" lg.	2
19.	90155	Hex Nut 3/8-24	2	127.	11304	Steel Washer	2	182.	90473	Lock Pin	1
20.	11373	Side Pin	1	128.	11234	Flange Bushing	2	187.	31301	Index Plate	1
21.	11206	Bushing	4	129.	11514	Gear Steel R.H.	1	188.	31302	Q.H.A. Lever	1
25.	90322	Hex Bolt 5/16-24 x 1/2	4	130.	21232	Pinion Pin	1	189.	11491	Fiber Washer	1
28.	11273	Caster Wheel	4	131.	50387	Spider Gear	2	190.	47445	H-20 Quick Adjust Bar Wldt.	1
30.	90100	Hex Bolt 1/4-28 x 5/8	3	132.	11315	Brass Washer	2	191.	90395	Washer	1
31.	31207	Retainer Ring L.H.	1	134.	37375	Sprocket 50T	1	192.	90196	Nut	1
32.	50355	Retainer & Fitting L.H.	1	135.	11511	Shoulder Bushing	1	193.	11494	Spring	1
34.	11275	Bearing Reel	2	136.	50386	Gear L.H. (135)	1	195.	90443	Washer 5/16 x 3/4	2
35.	31208	Retainer Ring R.H.	1	137.	50387	Spider Gear Steel	2	196.	21260	Spacer	2
36.	27311	5-BL. Reel	1	139.	57108	Hsg. L.H. (127-128)	1	198.	11500	Washer 1/2" x 3/4"	2
36.	47446	7-BL. Reel	1	140.	57195	P-20 Clutch Assy.	1	199.	11478	Washer	1
37.	11320	Sq. Key 3/16	1	142.	90409	Jam Nut	4	200.	90453	Bolt	1
38.	11314	Washer 1" O.D.	1	143.	57105	Mounting Block Assy	2	201.	11325	Washer Caster Wheel	4
39.	57102	Retainer & Fitting R.H.	1	144.	11214	Bearing	2	202.	11323	Washer Rivet	4
40.	11211	Sprocket 10T	1	145.	21207	Mounting Block	2	204.	31368	Clutch Bracket	1
41.	90254	Lock Washer	1	150.	11215	Thrust Bearing	4	205.	31387	Handle Bracket Strap	1
42.	90265	Hex Nut 1/2-20	1	151.	47396	Cam R.H.	1	206.	31388	Handle Bracket	1
43.	37387	Reel Guard	1	152.	37363	Lever R.H.	1				
46.	90396	Hex Bolt 5/16-24 x 5/16	2	153.	11222	Spring	2				
47.	90395	Sh/Proof Washer 5/16	3	154.	50382	Reel Housing	1				
48.	47442	Bedknife Holder	1	155.	11216	Spring	1				
49.	37491	Bedknife Blade (P-20)	1	156.	11309	Key	1				
50.	90405	Flat Head Machine Screw	6	157.	57204	P-20 Shaft & Sprocket Assy.	1				
51.	37400	Differential Idler	1	158.	11489	Lining	2				
54.	11306	Roll Pin 1 1/2	1	159.	90407	Rivet Brass	4				
55.	37401	Reel Idler	1								
56.	11248	Connecting Link No. 41	2								
	11255	Connecting Link No. 40	1								
57.	11388	Offset Link No. 41	1								
	11389	Offset Link No. 40	1								
58.	11308	Snap Ring 3/4	2								
59.	11231	Bearing Shielded	2								
60.	11313	Spacer Washer	10								
61.	21261	Axle Shaft	1								
62.	11307	Roll Pin 1 1/4	1								
63.	18117	Wheel Flange	2								
64.	37376	Rim	4								
65.	18116	Tire	2								
66.	11228	Bronze Bushing	1								
67.	21239	L.H. Wheel Hub.	1								
68.	90073	Hex Bolt 1/2-20 x 1 1/2	14								
70.	90055	Washer 3/4	13								
71.	11244	Reel Chain No. 41	1								
72.	50356	Differential Chain No. 41	1								
73.	11276	Motor Chain No. 40	1								
74.	11225	Motor Sprocket 9T	1								
76.	90109	Rd. Hd. Screw 1 1/2 Lq.	2								
77.	90095	Hex Nut 1/4-28	2								
78.	37372	R.H. Wheel Hub S/Assy	1								
79.	11237	Clevis Pin-Long	1								
80.	11249	Cotter Key	4								
82.	31300	Clutch Brkt.	1								
83.	11251	Clevis Pin-Short	2								
84.	11423	Inboard Flanged Brg.	2								
85.	11245	Return Spring	2								
86.	11250	Clevis Pin	1								
87.	57221	P-20 Grass Shield Assy.	1								
88.	37382	Control Rod	2								
89.	11254	Nyliner Bushing	2								
92.	47357	Handle Bar	2								
93.	40408	Knob	2								
94.	90206	Hex Bolt 5/16-18 x 3/4	9								
97.	57127	Handle Wldt.	1								
99.	31272	Cover Plate	1								
100.	11239	Grip	2								

Sprocket Combinations / Misc. Assemblies

- 11262 40 & 41, 12T-3/4B-3/16 Key
- 11263 40 & 41, 16T-3/4B-3/16 Key
- 11455 40 & 41, 9T-1/2B-3/16 Key
- 11492 40 & 41, 10T 5/8B-1/4 Key
- 11404 Motor Spkt. 9T-3/4B
- 11311 Caster Shim
- 11473 Reel Shim 2-1/2"
- 11457 In Play Shim
- 60151 Quick Adj Kit - Comp (20)
- 57138 Double Caster Assy

